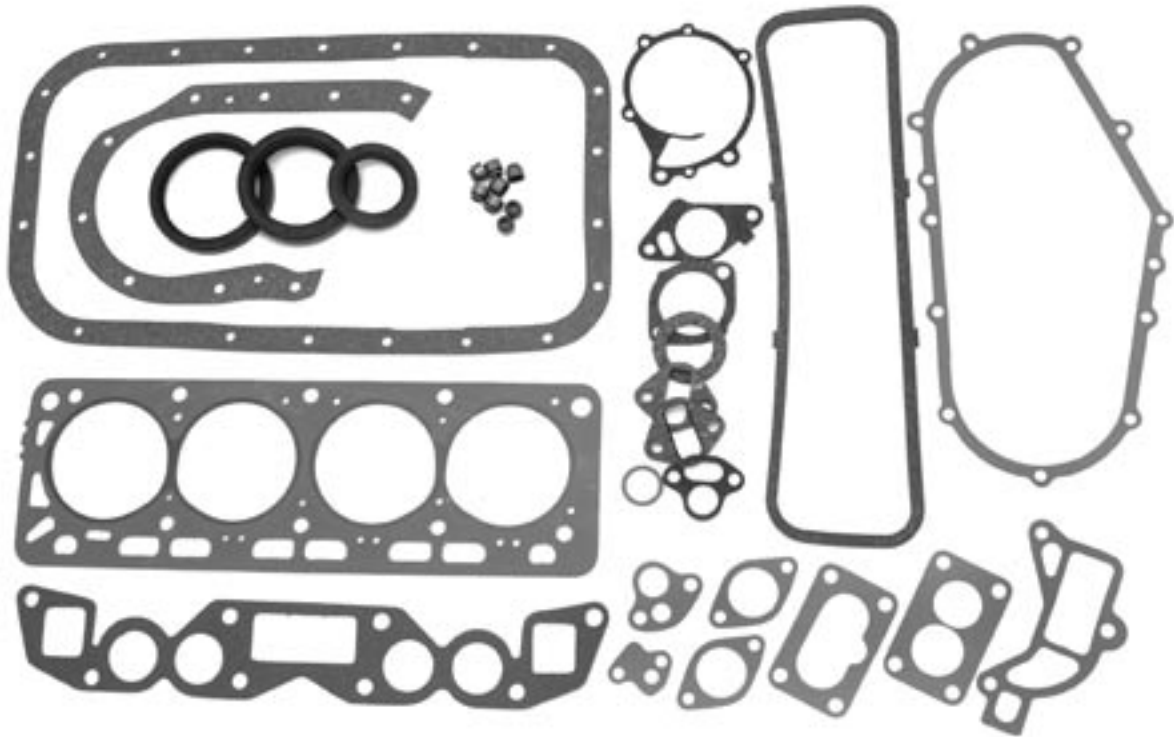


Engine Components

Engine Type	FE	VA	H20	H20II	J15	A15	Z24
Valve Stem Seal (Exhaust)	HY 1361719	HY 324728	N 13207-66712	N 13207-53F00	N 13207-C6000	N 13207-H7210	*
Valve Stem Seal (Intake)	HY 1361718	HY 324728	N 13207-66712	N 13207-53F00	N 13207-C6000	N 13207-H7210	*
Timing Chain	*	*	N 13028-73600	N 13028-50K00	*	*	*
Tensioner	HY 1361738	*	N 13070-32200	N 13070-50K00	*	*	*
Timing Cover Seal	*	HY 324772	N 13042-L1401	N 13042-A3510	N 13042-L1600	*	N 13042-L1401
Rear Main Seal	HY 1361691	HY 324741	N 12279-58000	N 12279-5L310	N 12279-09400	*	*
Head Gasket	HY 1360889	*	N 11044-P5101	N 11044-50K00	N 11044-R3810	N 11044-H9822	N 11044-10W02
Rocker Cover Gasket	HY 1360886	HY 324732	N 13270-E3400	N 13270-E3400	N 13273-B3400	N 13270-H1010	N 13270-G2500
Manifold Gasket (Intake)	HY 1361742	HY 324737	N 14035-B8500	N 14035-50K00	N 14035-13200	*	*
Manifold Gasket (Exhaust)	HY 1361747	*	N 14035-B8500	N 14035-50K00	N 14035-13200	*	N 14036-W7060
Sump Gasket	HY 1361682	*	N 11121-E0700	*	*	*	*
VRS Gasket Kit	*	*	N 11042-B8525	*	*	*	*
Overhaul Gasket Kit	HY 1367190	36207	N 10101-L1125	N 10101-50K25	N 10101-L1726	*	*
Timing Belt	HY 1361733	*	*	*	*	*	*
Timing Cover Gasket	*	HY 324773	N 13521-00H00	*	*	*	*
Side Cover Gasket	*	HY 324756	*	*	*	*	*
Liquid Gasket	*	*	*	35278	*	*	*



Engine Components

Engine Type	P40	K15	K21	K25	4Y	5R
Valve Stem Seal (Exhaust)	*	N 13207-53F00	N 13207-53F00	N 13207-53F00	TY 90913-02098	TY 90913-02042
Valve Stem Seal (Intake)	*	N 13207-53F00	N 13207-53F00	N 13207-53F00	TY 90913-02098	TY 90913-02042
Timing Chain	*	*	*	*	TY 13506-25010	*
Tensioner	*	N 13070-50K00	N 13070-50K00	N 13070-50K00	TY 13540-25010	*
Timing Cover Seal	*	*	*	*	TY 90311-59950-71	*
Rear Main Seal	N 12279-58000	*	*	*	TY 90311-80003	*
Head Gasket	*	*	*	*	TY 11115-73030	TY 11115-44023
Rocker Cover Gasket	*	*	*	*	*	TY 11213-44020
Manifold Gasket (Intake)	*	*	*	*	*	*
Manifold Gasket (Exhaust)	*	*	*	*	*	*
VRS Gasket Kit	*	*	*	*	TY 04112-20140-71	TY 04112-78053-71
Overhaul Gasket Kit	*	*	*	*	TY 04111-78150-71	TY 04112-78053-71
Timing Belt	*	*	*	*	*	*
Tensioner Guide	*	*	*	*	TY 13561-25010	*
Rocker Cover Seal (Semi-Circular)	*	*	*	*	*	*

